

XY2CA120 obsolete switch

- XY2CC122 description
- How to replace or cross-reference

Simply easy!™



Telemecanique

Sensors

XY2CA120 obsolete rope pull switch

- Picture

- Reset booted button below the enclosure

- Main function

- Rope pull switch with reset function after tripping
- Operation in case of cable break
- Maxi cable length **25m** with cable dia 2.2mm (3mm with the red cable sheath)
- No light, high tripping force (30...42daN for 5m distance between cable supports, depending on cable fixing point)
- Slow break contacts NC+NO

- Instruction sheet

- Attached



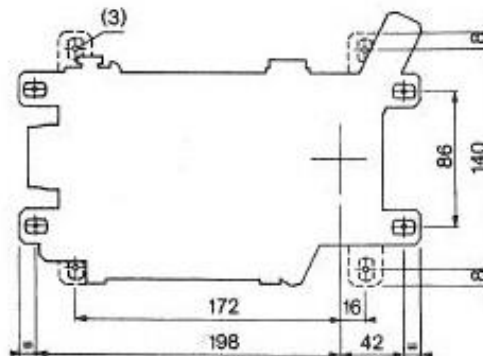
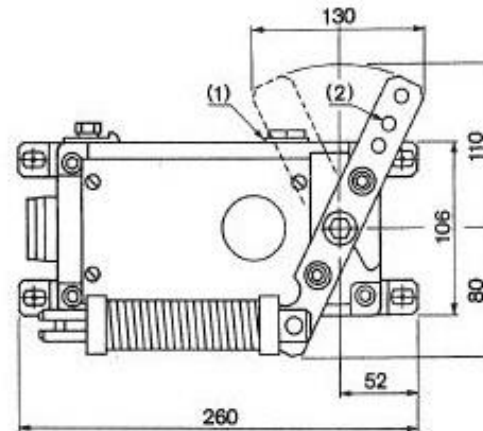
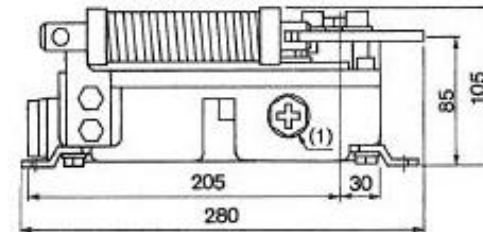
XY2CA_instruction sheet.jpg



XY2CA120 obsolete rope pull switch

- Dimensions

XY2-CA120



(1) 1 tapped entry for CM12 cable gland

(2) 3 \varnothing 8.3 mm holes for operating cable fixing

(3) 4 elongated holes 9 x 12

XY2CA120 obsolete rope pull switch

- Cross-reference

- **XY2CA120** replacement = no direct replacement
- Suggest to replace by the **XY2CH13250** having booted reset and lower tripping force. Fixing not compatible, need some adaptation. Accessories have to be changed