

# XY2CC122 obsolete switch

- XY2CC122 description
- How to replace or cross-reference

Simply easy!™



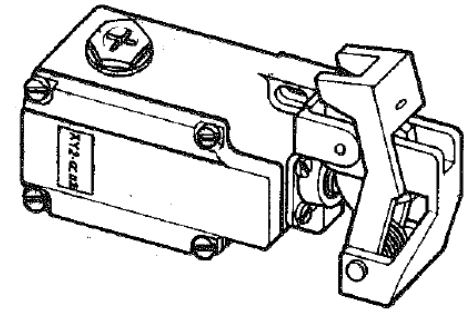
**Telemecanique**

**Sensors**

# XY2CC122 obsolete rope pull switch

- Image

- Reset button with green boot



- Main function

- Rope pull switch with reset function after tripping
- Operation in case of cable break
- Maxi cable length 10m with cable dia 2.2mm (3mm with the red cable sheath).

- Instruction sheet

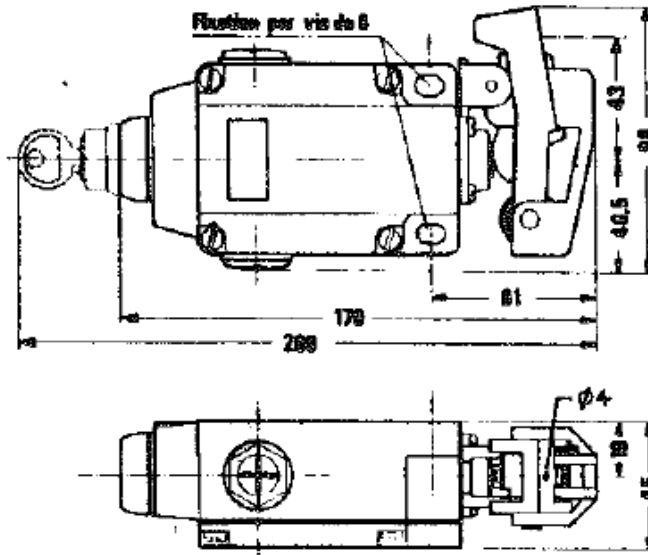
- Attached



Obsolete XY2CC  
struction sheet Fr/E

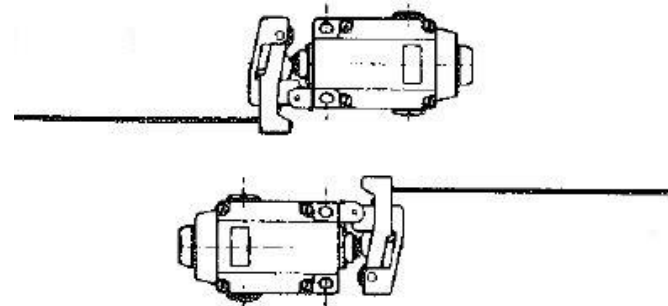
# XY2CC122 obsolete rope pull switch

- Dimensions



- Cable mounting

- Right or left side



- How to replace

- **XY2CC122** replacement = **XY2CH13250** with booted reset or **XY2CH14250** (silicone bellow). Fixing not compatible, need some adaptation.