

XUSL2E/4E - XPSMCM controller

Association XUSL2E/4E + XPSMCM modular safety controller

- Wiring diagram example
- Example of configuration using «Sosafe configurable» software
- Cautions to respect



Simply easy!™

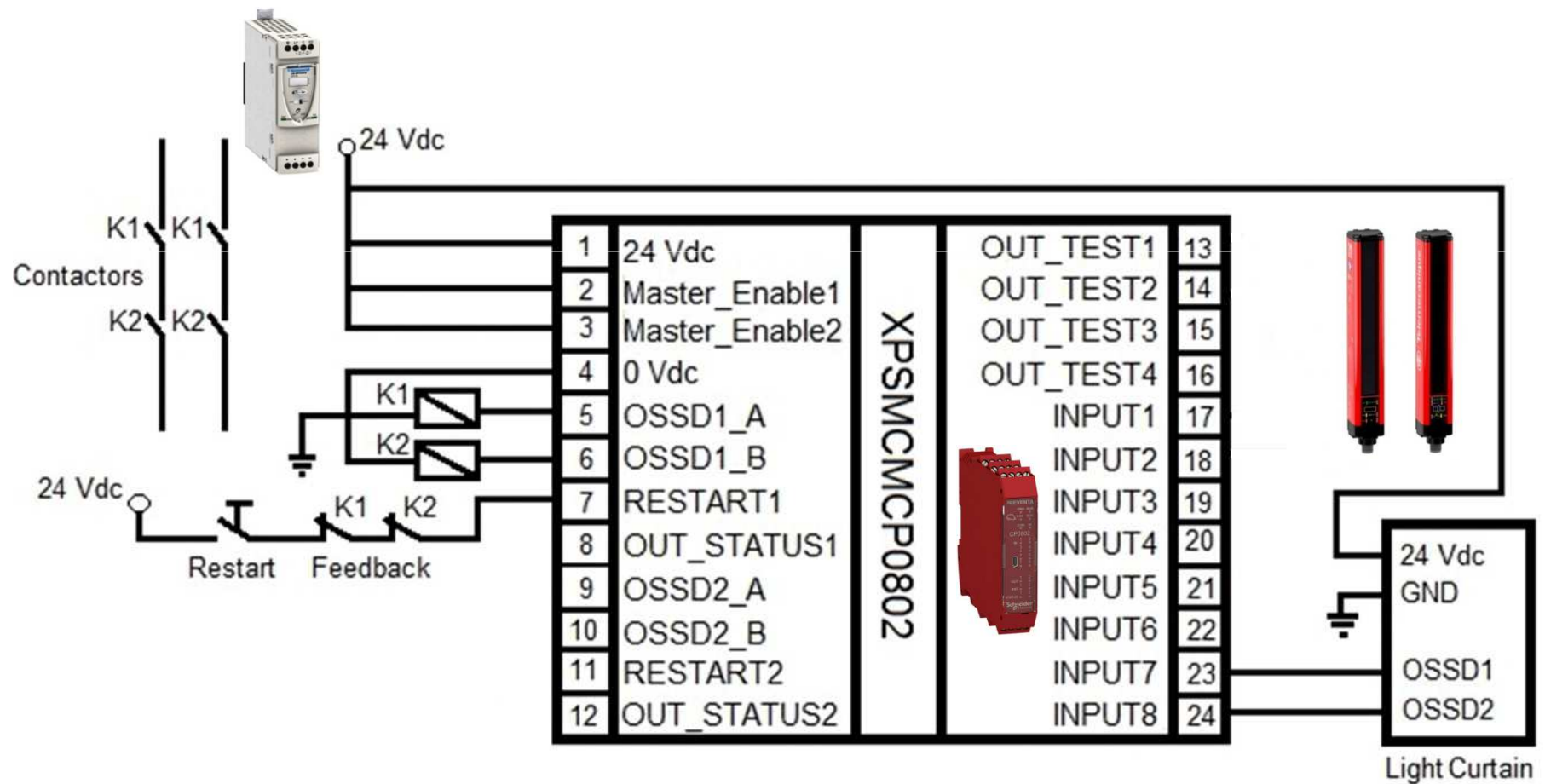


Telemecanique

Sensors

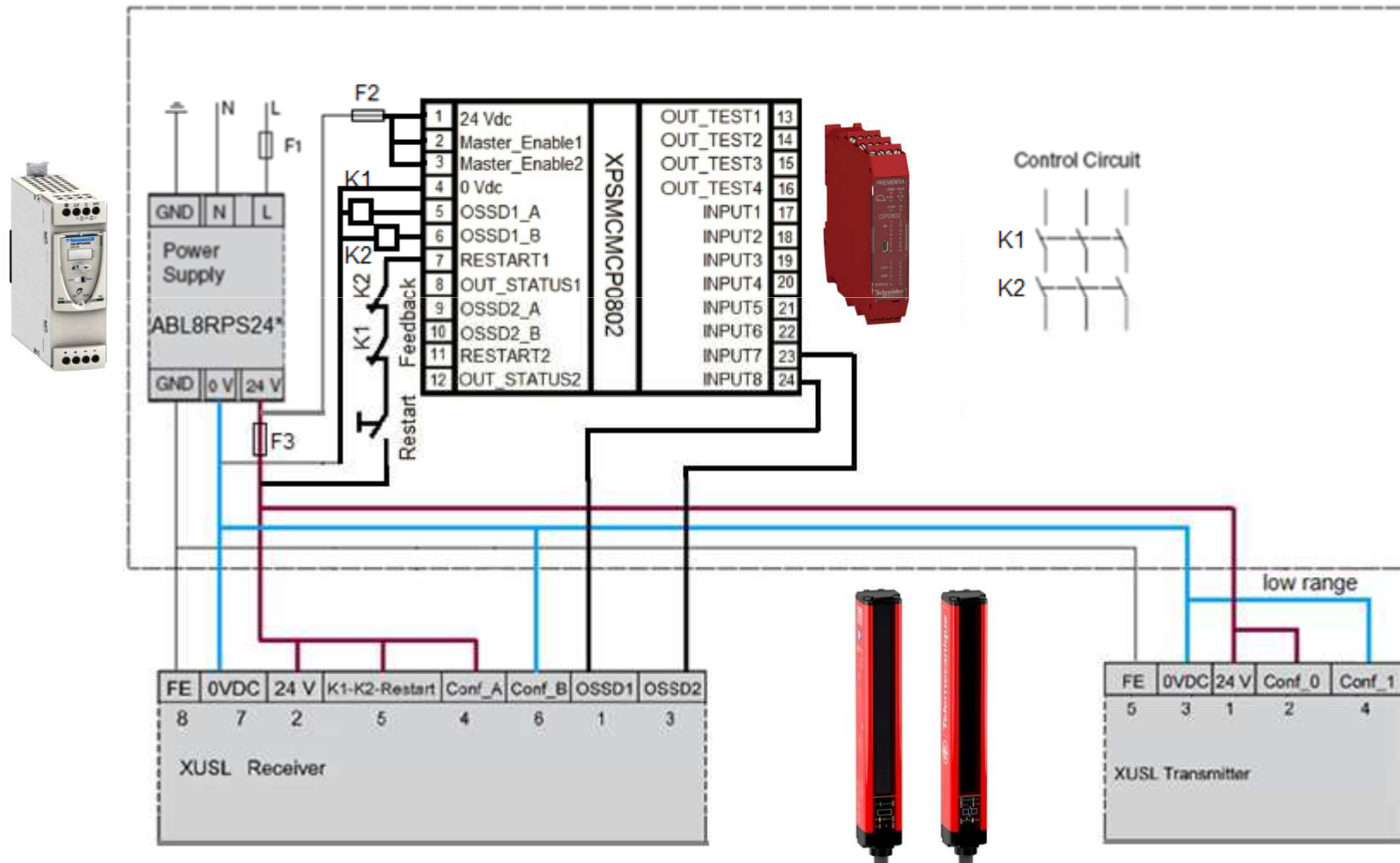
XUSL2E/4E – XPSMCM unit association

- Simplified wiring diagram example



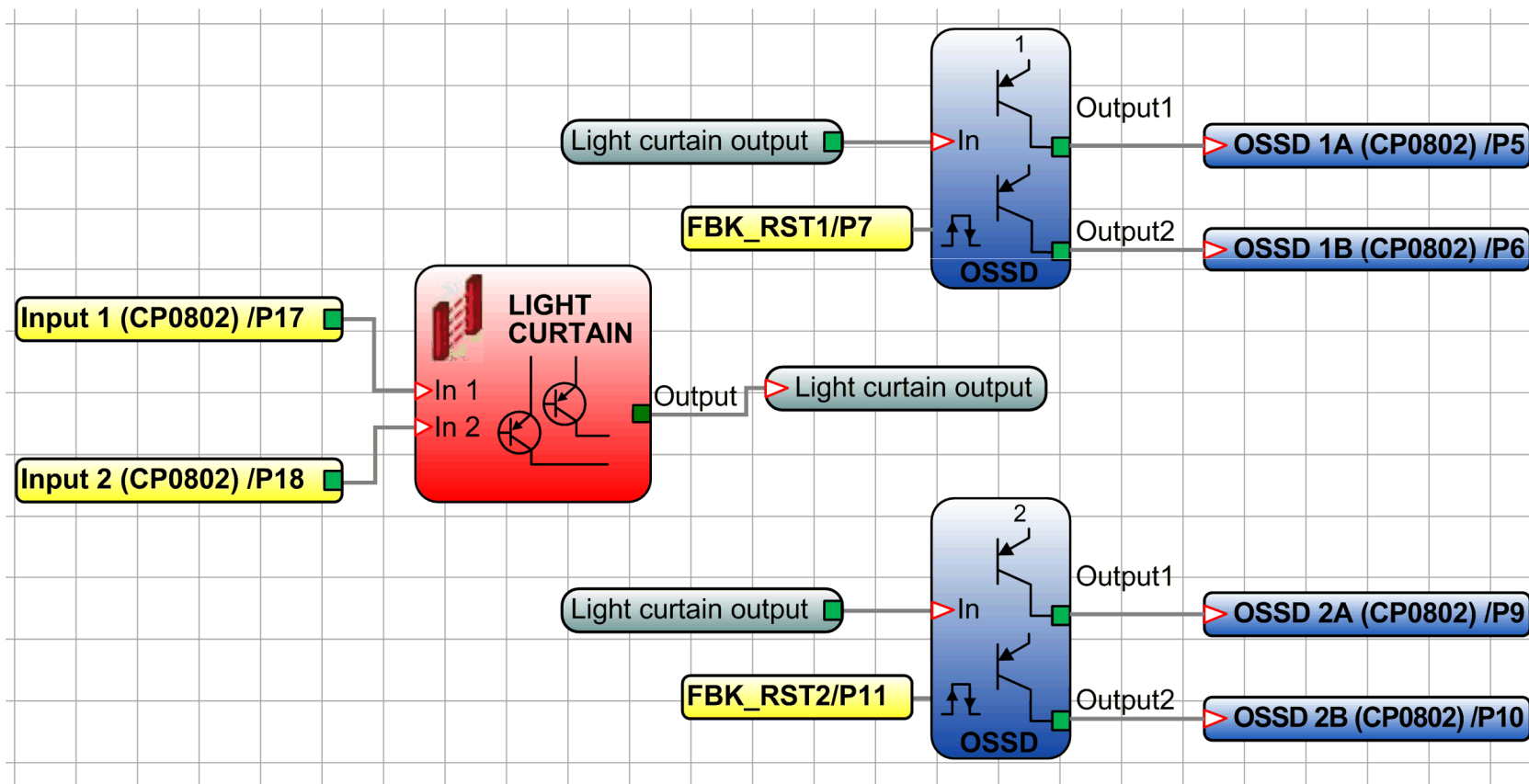
XUSL2E/4E – XPSMCM unit association

- Complete wiring diagram example



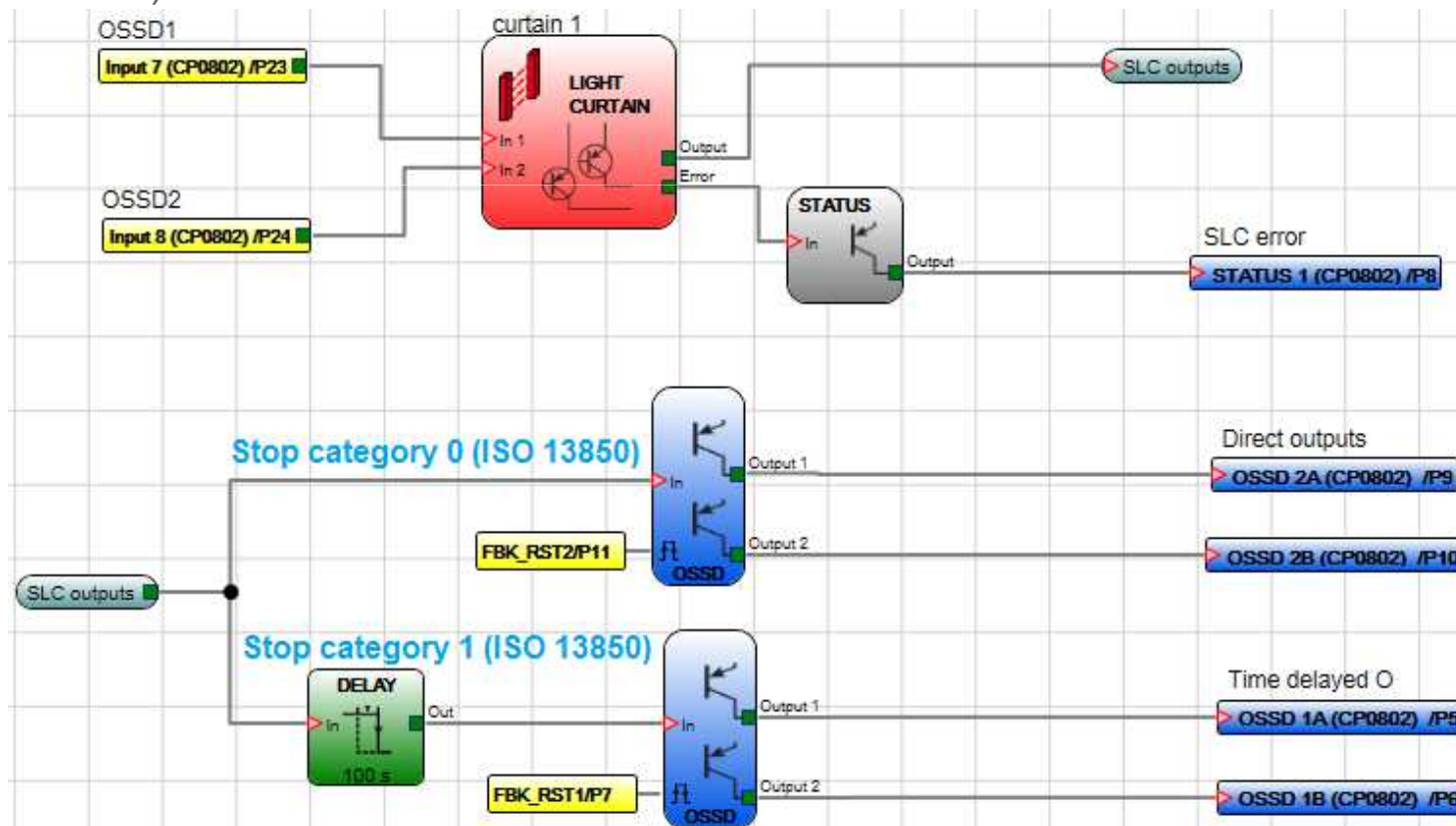
XUSL2E/4E – XPSMCM unit association

- Example of configuration using « Sosafe configurable » software
 - Light curtain switching off 2 independant circuits



XUSL2E/4E – XPSMCM unit association

- How to time-delay the curtain OSSD's
 - Function not integrated into the light curtain.
 - Check the adequation of the solution depending on the safety distance (ISO 13855 standard).



XUSL2E/4E – XPSMCM unit association

• Cautions to respect

- In the XPSMCM association, the XUSL2E/4E curtain has to be configured, by wiring, in automatic start & without EDM (External Device Monitoring) function



- The same power supply, complying to the IEC 61496-1 & EN 60204-1 standards, energises both XPSMCM controller & XUSL2E/4E curtain(s). Do not energise the XPSMCM controller and the curtain separately



- The 2 devices (XPSMCM unit and XUSL curtain) must be switched off together in case of E.stop function, main switch disconnection, ... Do not switch off only the safety controller XPSMCM without switching off the curtain.